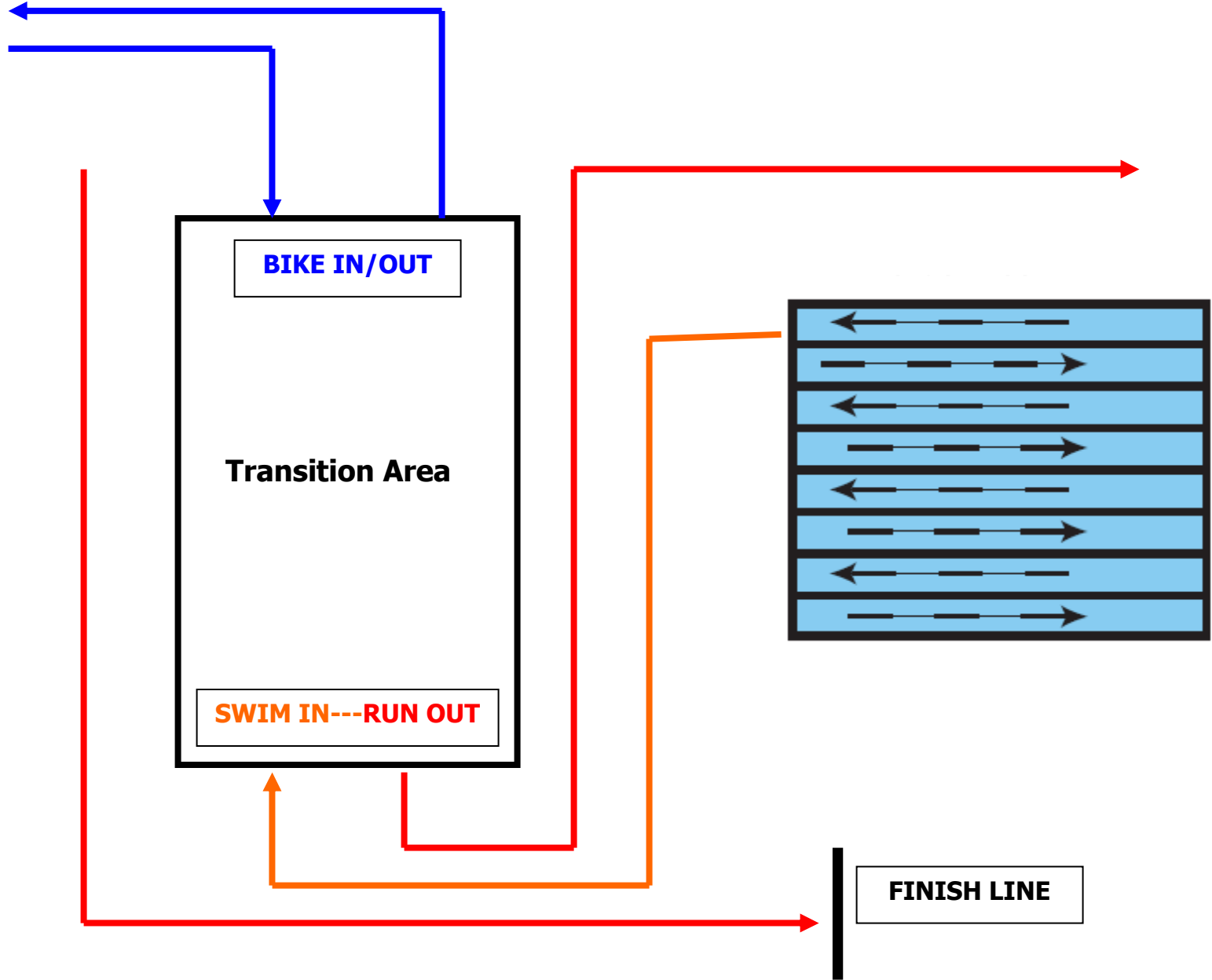
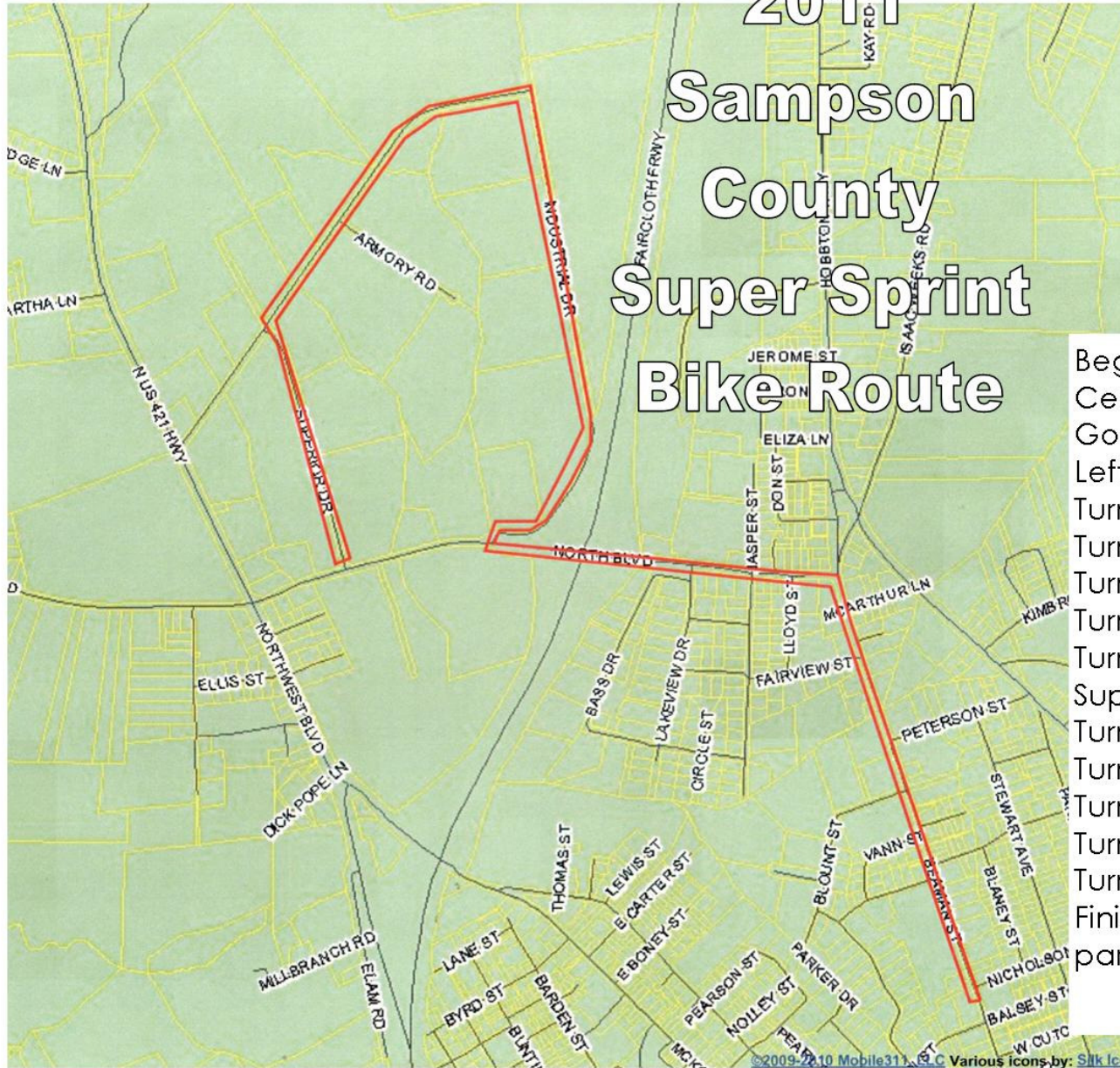


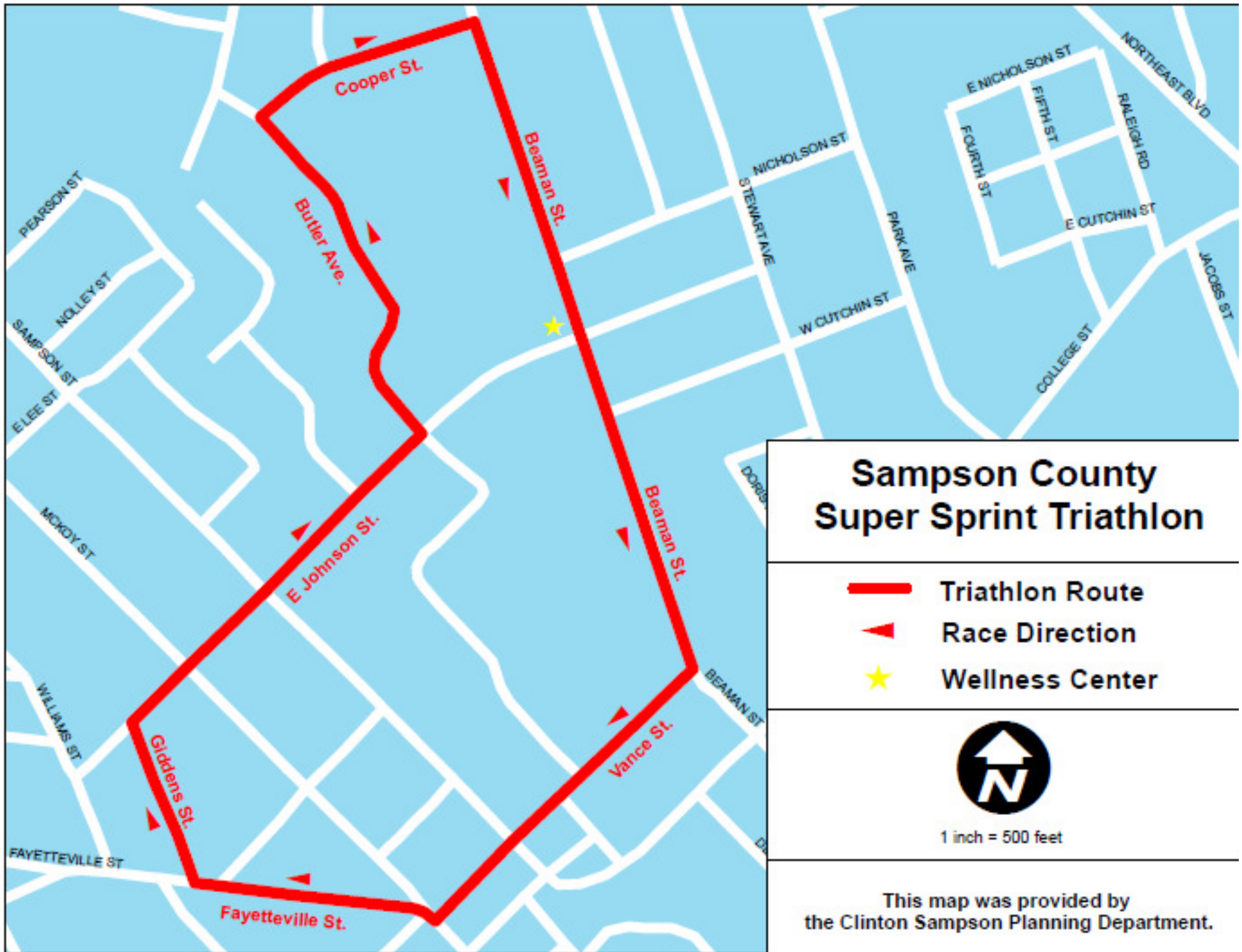
SAMPSON COUNTY SUPER SPRINT TRIATHLON



2011 Sampson County Super Sprint Bike Route



Begin in the Wellness Center Parking lot
Go to Beaman St & Turn Left
Turn Left on North Blvd
Turn Right on Industrial Dr
Turn Left on Armory Rd
Turn Left on Superior Dr
Turn around at the end of Superior Dr
Turn Right on Armory Rd
Turn Right on Industrial Dr
Turn Left on North Blvd
Turn Right on Beaman St.
Turn Left into parking area
Finish in Wellness Center parking lot.



Sampson County Super Sprint Triathlon

-  Triathlon Route
-  Race Direction
-  Wellness Center



1 inch = 500 feet

This map was provided by
the Clinton Sampson Planning Department.